

VORTEX FLOWMETER

FOR NATURAL GASES, OTHER GASES, LIQUIDS AND SOLUTIONS

Advantages

- Wide dynamic range
- Hazardous area approvals
- Rigorous factory calibration and testing
- High accuracy
- Complete automation software package
- No moving parts
- Easy installation and maintenance free

Applications

- Flow and volume measurements
- Fiscal control
- Petroleum industry
- Filling stations

IN PROCESS TO EXCELLENCE

Specifications

Type of products	Gases, liquids
Process temperature range	-40...+85°C (-40°...+185°F)
Pressure range	Up to 25 MPa
Pipeline diameter	25...100 mm (1...4")
Accuracy for liquids	±0.5%
Accuracy for gases	Up to 1.0%
Output	1000 Hz; 4-20 mA; RS485
Ex marking	ATEX II 1/2G Ex ia IIB T4; IECEx Ex ia IIB T4 Ga /Gb
Power supply	110-260V AC; 10-30V DC
Ambient temperature range	-40...+85°C (-40°...+185°F)
Weather rating	IP65

Flow ranges

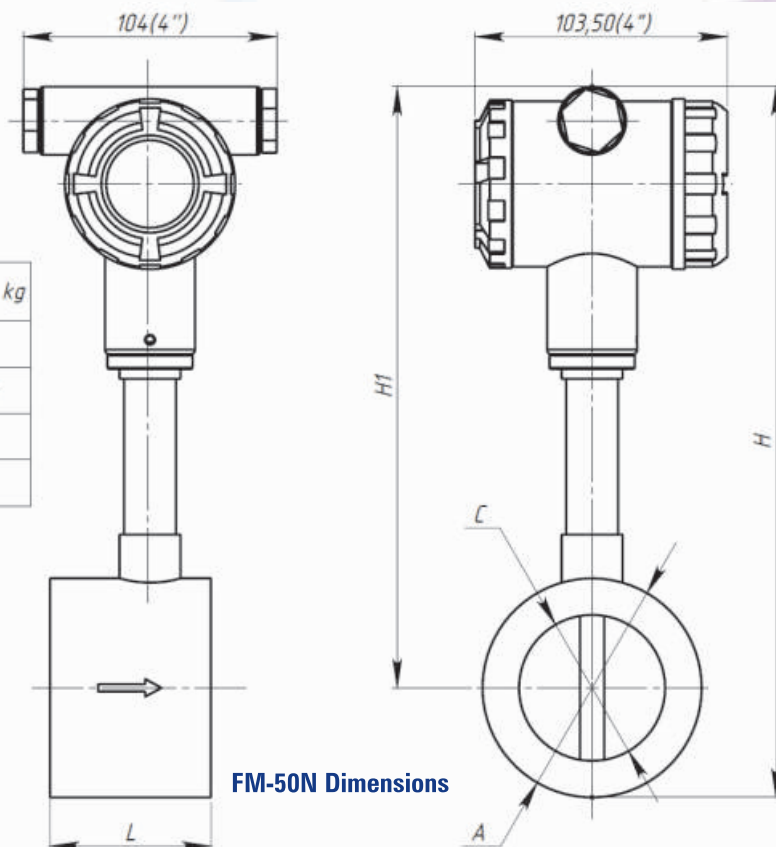
Diameter, mm (")	Liquids, m ³ /h (ft ³ /h)	Gases, m ³ /h (ft ³ /h)
25 (1)	0.4 - 16 (14 - 565)	3.5 - 120 (124 - 4 240)
50 (2)	1.4 - 64 (49 - 2 260)	14 - 480 (500 - 16 940)
80 (3)	4 - 160 (140 - 5 650)	36 - 1 230 (1 270 - 43 420)
100 (4)	6 - 250 (210 - 8 830)	60 - 1 920 (2 120 - 67 780)

An accurate calibration

Calibration of **LEMIS process** FM-50N meters is performed in-house according ISO 9001:2008 quality assurance program and by using calibration materials that are traceable to national standards. In-house calibration and testing is performed with rigorous quality protocol for every standard model of the sensor.

LEMIS process installation packs allow simple, switch-and-go field installation. When ordered with **LEMIS process** installation pack, the sensor has mounted at factory, tested and calibrated already fitted assuring best performance and eliminating the need for in-situ calibration for most of applications.

Version	A, mm(in)	L, mm(in)	H, mm(in)	H1, mm(in)	C, mm(in)	Mass, kg
025 (1")	65(2,6")	66(2,6")	347(14,7")	315(12,4")	25 (1")	7
050 (2")	90(3,5")	85(3,3")	375(14,76")	330(13")	50 (2")	12,5
080 (3")	120(4,7")	110(4,3")	395(15,55")	335(13,2")	80 (3")	20
100 (4")	150(5,9")	110(4,3")	440(17,3")	365(14,4")	100 (4")	27



For more information please visit www.lemis-process.com



USA
LEMIS USA, Inc.
 15556 Summit Park Dr. Suite 601
 Montgomery
 TX 77356, USA
 Ph.: +1 281 465 8441

EUROPE
AS LEMIS Baltic
 26 Ganību dambis
 Rīga, LV-1005
 Latvia, EU
 Ph.: +371 6738 3223
 Fax: +371 6738 3270

INDIA
LEMIS India PVT LTD
 504, Bhumiraj Costarica, 5th floor
 Plot 1&2, Sector 18, Sanpada
 Navi Mumbai-400705, INDIA
 Ph.: +91 22 6721 5655
 Fax: +91 22 6794 2666

E-mail: info@lemis-process.com